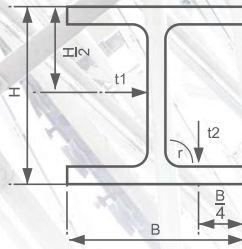




MITRSTEEL

บริษัท มิตรสตีล จำกัด www.mitrsteel.com
114/40 หมู่ 10 ตำบลหนองละลอก อำเภอบ้านค่าย
จังหวัดระยอง 21120 Tel. 66(0)3301-2436-8



WIDE FLANGE

เหล็กงานโครงสร้าง

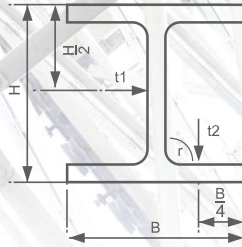


Nominal Size	Weight	Sectional Dimension					Sectional Area	Moment of Inertia		Radius of Gyration		Modulus of Section	
		H	B	t1	t2	r		Ix	Iy	ix	iy	Zx	Zy
mm	kg/m	mm	mm	mm	mm	mm	cm ²	cm ⁴	cm ⁴	cm	cm	cm ³	cm ³
100x50	9.3	100	50	5	7	8	11.85	187	14.8	3.98	1.12	37.5	5.91
150x75	14.0	150	75	5	7	8	17.85	666	49.5	6.11	1.66	88.8	13.2
150x100	21.1	148	100	6	9	11	26.84	1,020	151	6.17	2.37	138	30.1
200x100	V 18.2	198	99	4.5	7	11	23.18	1,580	114	8.26	2.21	160	23.0
	21.3	200	100	5.5	8	11	27.16	1,840	134	8.24	2.22	184	26.8
200x150	30.6	194	150	6	9	13	39.01	2,690	507	8.30	3.61	227	67.6
250x125	V 25.7	248	124	5	8	12	32.68	3,540	255	10.4	2.79	285	41.1
	29.6	250	125	6	9	12	37.68	4,050	294	10.4	2.79	324	47.0
250x175	44.1	244	175	7	11	16	56.24	6,120	984	10.4	4.18	502	113
300x150	V 32.0	298	149	5.5	8	13	40.8	6,320	442	12.4	3.29	424	59.3
	36.7	300	150	6.5	9	13	46.78	7,210	508	12.4	3.29	481	67.7
300x200	56.8	394	200	8	12	18	72.38	11,300	1,600	12.5	4.71	771	160
	*65.4	298	201	9	14	18	83.36	13,300	1,900	12.6	4.77	893	189
350x175	V 41.4	346	174	6	9	14	52.68	11,100	792	14.5	3.88	611	91.0
	49.6	350	175	7	11	14	63.14	13,600	984	14.7	3.95	775	112
	*57.8	354	176	8	13	14	73.68	16,100	1,180	14.8	4.01	909	134
350x250	*69.2	336	249	8	12	20	88.15	18,500	3,090	14.5	5.92	1,100	248
	79.7	340	250	9	14	20	101.5	21,700	3,650	14.6	6.00	1,280	292
400x200	V 56.6	396	199	7	11	16	72.16	20,000	1,450	16.7	4.48	1,010	145
	66.0	400	200	8	13	16	84.12	23,700	1,740	16.8	4.54	1,190	174
	*75.5	404	201	9	15	16	96.16	27,500	2,030	16.9	4.60	1,360	202
400x300	*94.3	386	299	9	14	22	120.1	33,700	6,240	16.7	7.21	1,740	418
	107.0	390	300	10	18	22	136.0	38,700	7,210	16.9	7.28	1,980	481
450x200	*66.2	446	199	8	12	18	84.30	28,700	1,580	18.5	4.33	1,290	159
	76.0	450	200	9	14	18	96.76	33,500	1,870	18.6	4.40	1,490	187
	*88.9	456	201	10	17	18	113.3	40,400	2,310	18.9	4.51	1,770	230



MITRSTEEL

บริษัท มิตรสตีล จำกัด www.mitrsteel.com
114/40 หมู่ 10 ตำบลหนองละลอก อำเภอบ้านค่าย
จังหวัดระยอง 21120 Tel. 66(0)3301-2436-8

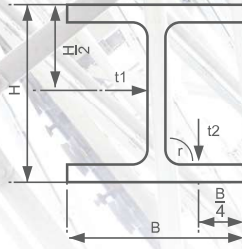


WIDE FLANGE

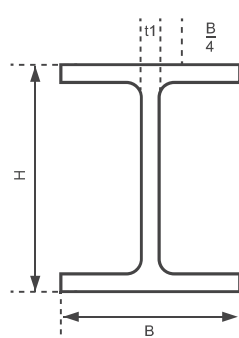
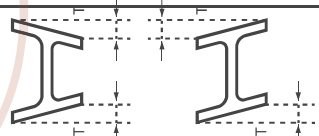
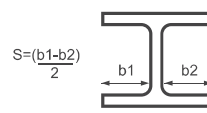
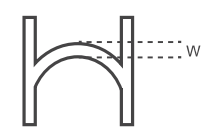
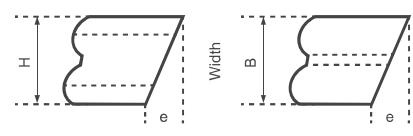
เหล็กงานโครงสร้าง

TIS 1227

Nominal Size	Weight	Sectional Dimension					Sectional Area	Moment of Inertia		Radius of Gyration		Modulus of Section	
		H	B	t ₁	t ₂	r		I _x	I _y	i _x	i _y	Z _x	Z _y
mm	kg/m	mm	mm	mm	mm	mm	cm ²	cm ⁴	cm ⁴	cm	cm	cm ³	cm ³
450x300	*106.0	434	299	10	15	24	135.0	48,800	6,690	18.6	7.04	2,160	448
	124.0	440	300	11	18	24	157.0	56,100	8,110	18.9	7.18	2,550	541
	*145.0	446	302	13	21	24	184.3	66,400	9,660	19.0	7.24	2,980	629
500x200	*79.5	496	199	9	14	20	101.3	41,900	1,840	20.3	4.24	1,690	185
	89.6	500	200	10	16	20	114.2	47,800	2,140	20.5	4.33	1,910	214
	*103.0	506	201	11	19	20	131.3	56,500	2,580	20.7	4.43	2,230	257
500x300	*114.0	482	300	11	15	26	145.5	60,400	6,760	20.4	6.82	2,500	451
	128.0	488	300	11	18	26	163.5	71,000	8,110	20.8	7.04	2,910	541
	*150.0	494	302	13	21	26	191.4	83,800	9,660	20.9	7.10	3,390	640
600x200	*94.6	596	199	10	15	22	120.5	68,700	1,980	23.9	4.05	2,310	199
	106.0	600	200	11	17	22	134.4	77,600	2,280	24.0	4.12	2,590	228
	*120.0	606	201	12	20	22	125.5	90,400	2,720	24.3	4.22	2,980	271
	*134.0	612	202	13	23	22	170.7	103,000	3,180	24.6	4.31	3,380	314
600x300	*137.0	582	300	12	17	28	174.5	103,000	7,670	24.3	6.63	3,530	511
	151.0	588	300	12	20	28	192.5	118,000	9,020	24.8	6.85	4,020	601
	*175.0	594	302	14	23	28	222.4	137,000	10,600	24.9	6.90	4,620	701
700x300	*166.0	692	300	13	20	28	211.5	172,000	9,020	28.6	6.53	4,980	602
	185.0	700	300	13	24	28	235.5	201,000	10,800	29.3	6.78	5,760	722
800x300	*191.0	792	300	14	22	28	243.4	254,000	9,930	32.3	6.39	6,410	660
	210.0	800	300	14	26	28	267.4	292,000	11,700	33.0	6.62	7,290	782
900x300	213.0	890	299	15	23	28	270.9	345,000	10,300	35.7	6.16	7,760	688
	243.0	900	300	16	28	28	309.8	411,000	12,600	36.4	6.39	9,140	849
	V 286	912	302	18	34	28	364.0	498,000	15,700	37.0	6.56	10,900	1040



TOLERANCE ค่าความคลาดเคลื่อน

Dimension		Tolerance	Remark	
Depth (H)	H < 380	± 2.0		
	380 ≤ H < 580	± 3.0		
	H ≥ 580	± 4.0		
Width (B)	B < 95	± 2.0		
	95 ≤ B < 190	± 2.5		
	B ≥ 190	± 3.0		
Thickness (t1, t2)	t1	t1 < 16	± 0.7	
		16 ≤ t1 < 25	± 1.0	
		25 ≤ t1 < 40	± 1.5	
	t2	t2 < 16	± 1.0	
16 ≤ t2 < 25		± 1.5		
25 ≤ t2 < 40		± 1.7		
Length (L)	L ≤ 7 m.	+ 40		
		0		
	L > 7 m.	40+ (no. of meter of L - 7) x 5		
Squareness (T)	H ≤ 300	B ≤ 150	≤ 1.5	
		B > 150	≤ 1.0% of B	
	H > 300	B ≤ 125	≤ 1.5	
		B > 125	≤ 1.2% of B	
Bend	H ≤ 300	≤ 0.15% of L	To be applied to bend such as sweep and camber	
H > 300	≤ 0.10% of L			
Eccentricity (S)	H ≤ 300, B ≤ 200	± 2.5		
H > 300, B > 200	± 3.5			
Concavity of web (W)	H < 400	2.0		
400 ≤ H < 600	2.5			
H ≥ 600	3.0			
Squareness of cut end (e)	H ≤ 187.5	≤ 3.0 mm.		
B ≤ 187.5	≤ 3.0 mm.			
H > 187.5	≤ 1.6% of H			
B > 187.5	≤ 1.6% of B			
Mass	t < 10	± 5%	1. The maximum thickness shall be applied. 2. These tolerances shall apply in the purchase of a single set of structural steel of the same size and thickness comprising not less than 10 pieces and a mass of not less than 1,000 kg.	
	t ≥ 10	± 4%		